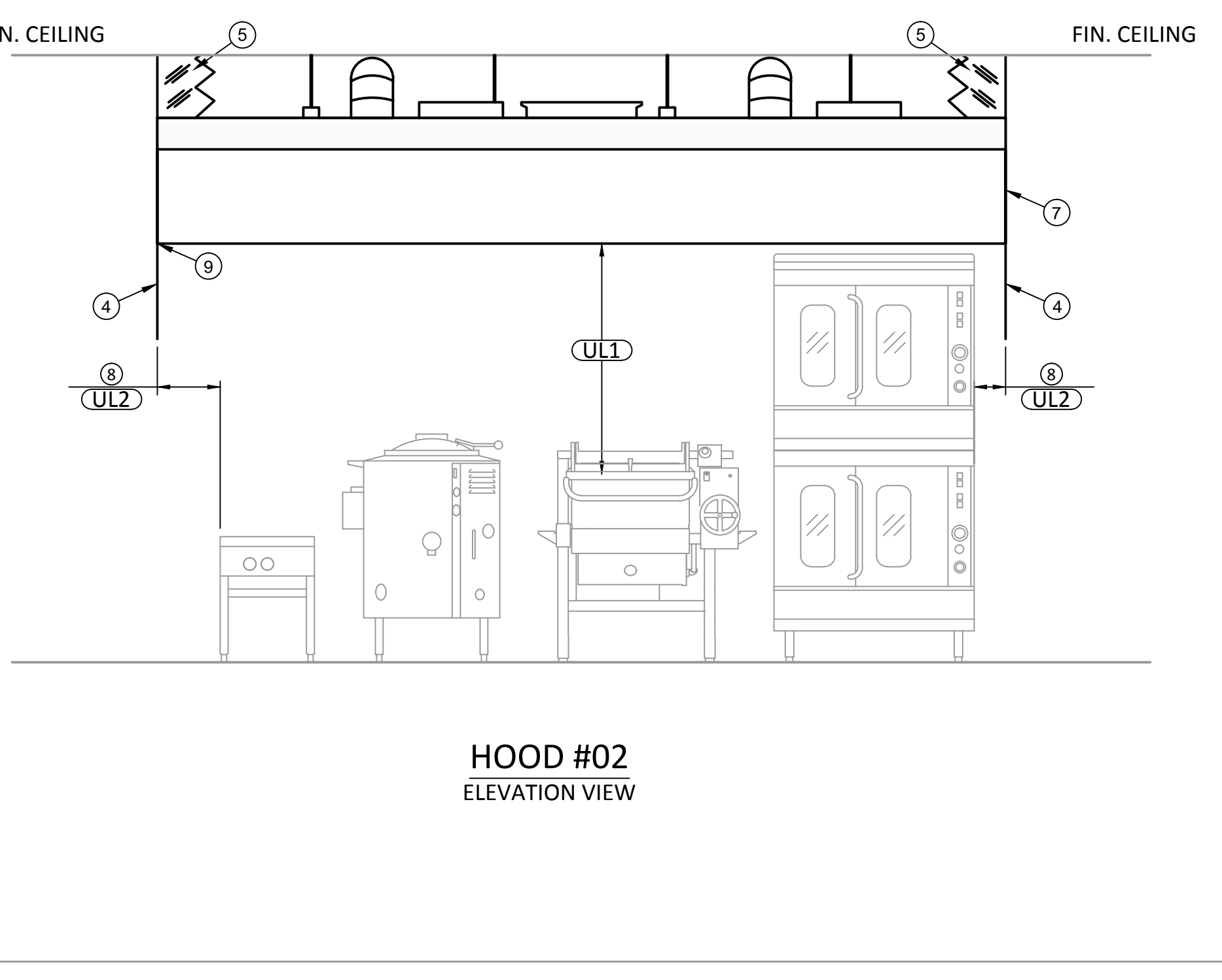
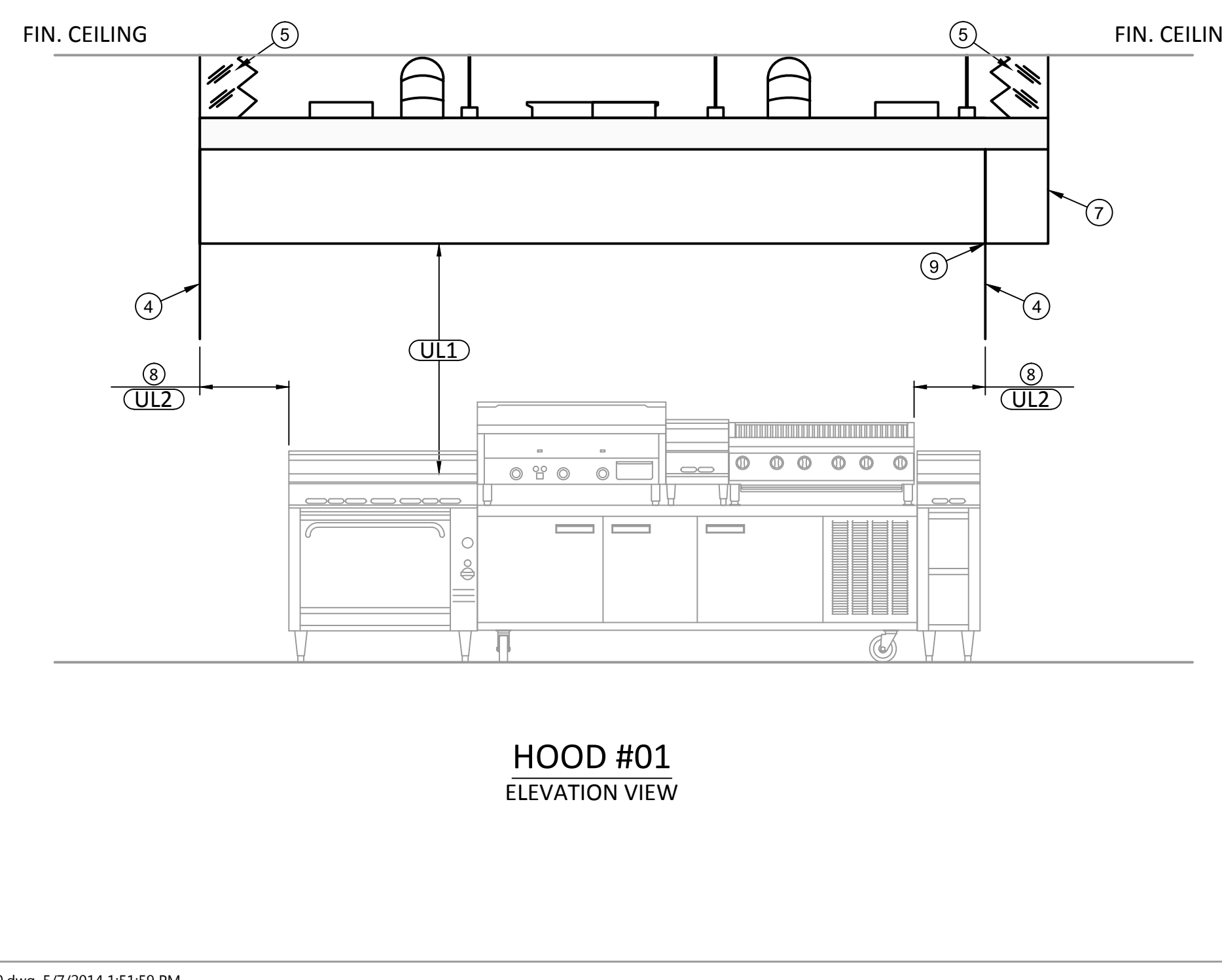
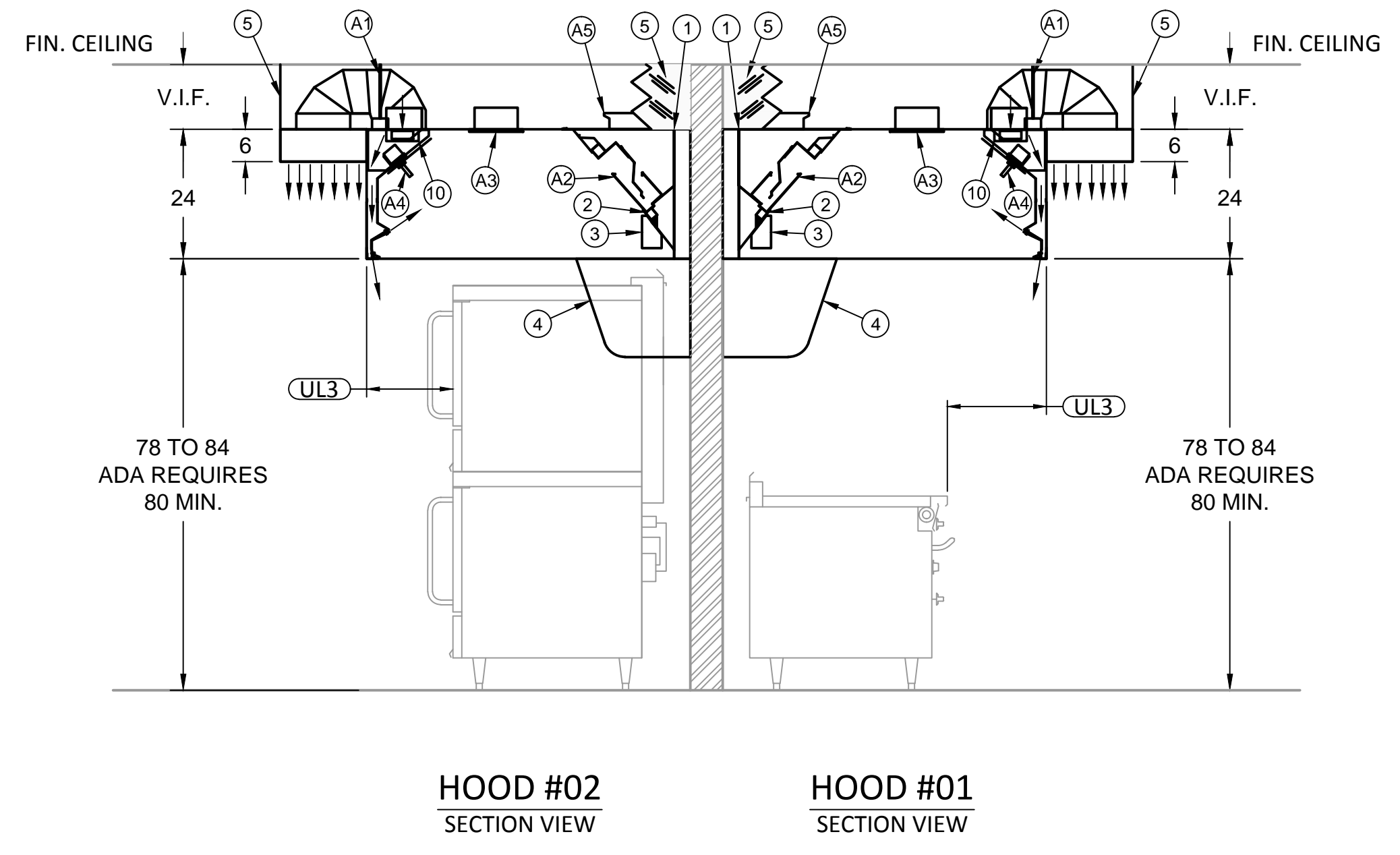
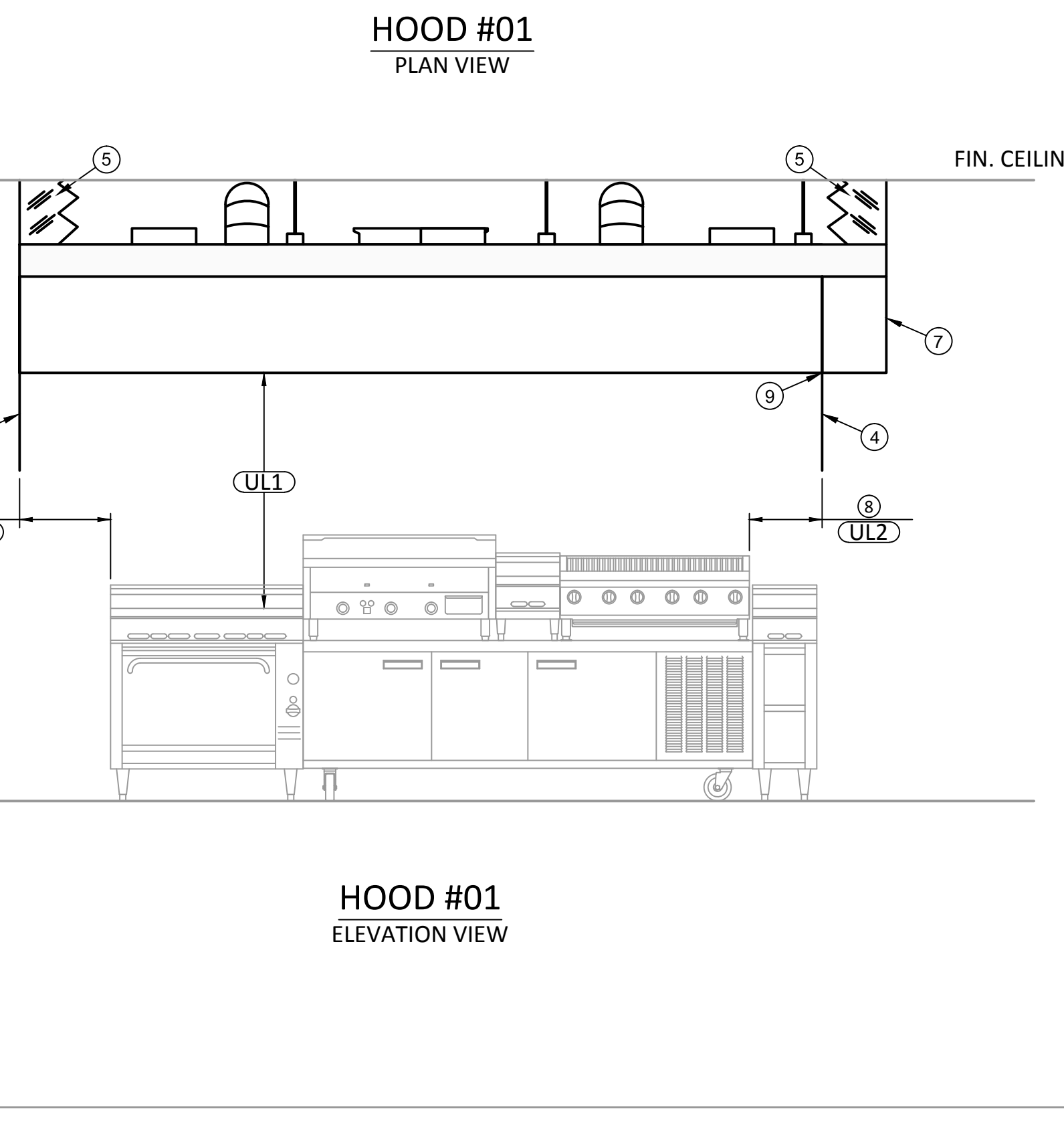
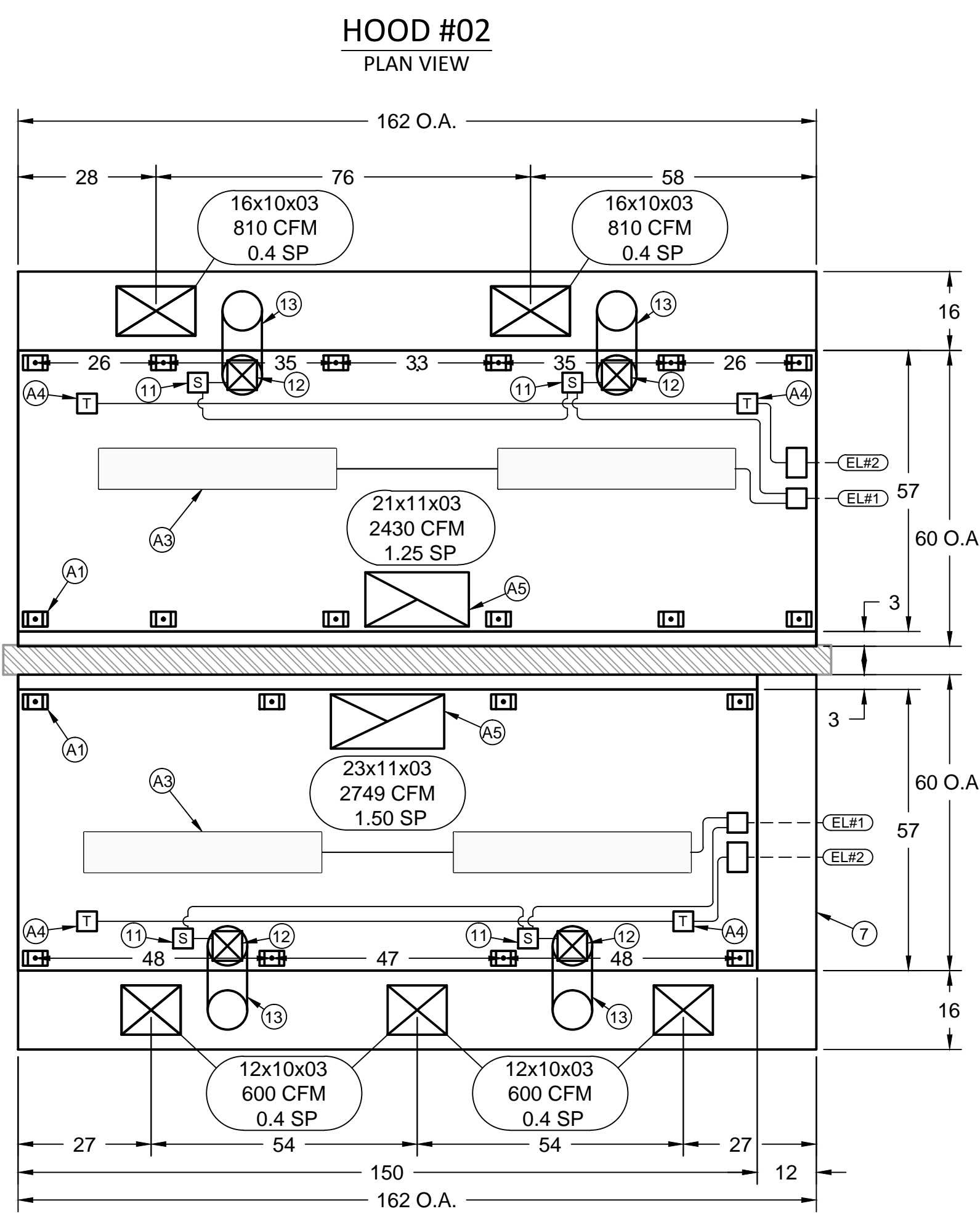
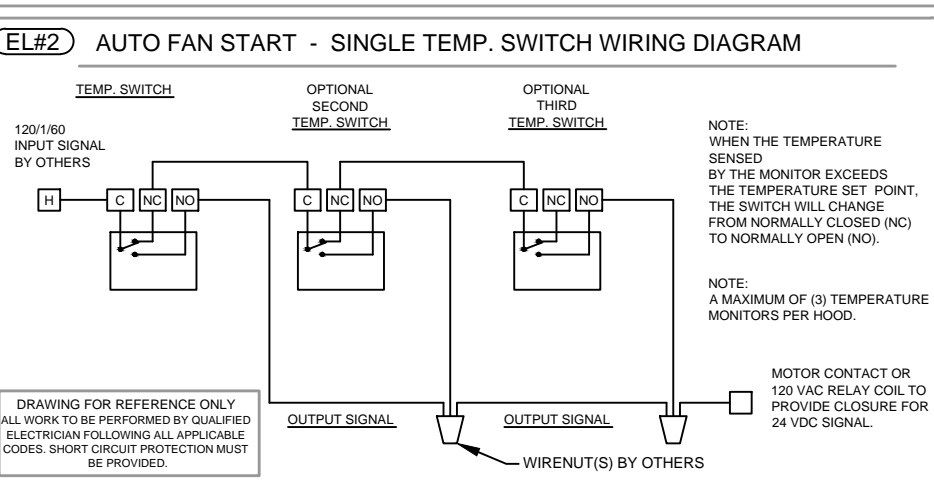
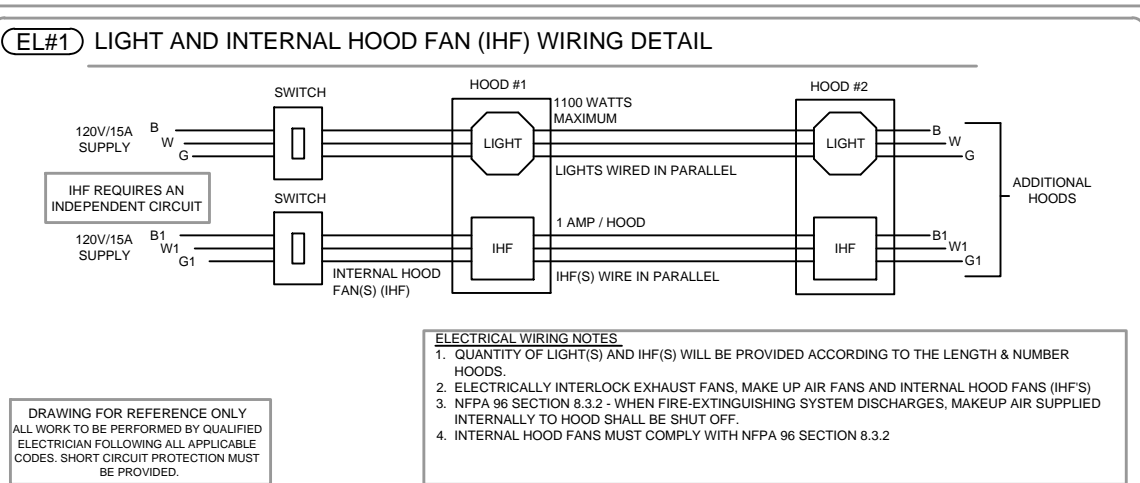


HOOD INFORMATION			EXHAUST				DIST. FROM COOKING SURFACE TO LOWER EDGE OF HOOD:				MINIMUM OVERHANG OPEN SIDES				EQUIP. DUTY TEMPERATURE			
NO.	MODEL	L	W	H	WEIGHT	SPEC. CFM	MIN. CFM	SP	MIN.	MAX.	SIDE	FRONT	MAX.	UL1	UL2	UL3	UL4	
01	SAWCBD-CR-CP-LD180 1505724	150	57	24	1176	2749	2250	1.5	36	48	6	6	600					
02	SAWCBD-CR-CP-LD150 1625724	162	57	24	866	2430	2025	1.25	36	48	6	6	400					

1. GREATER EXHAUST AND/OR LESSEY SUPPLY AIR FLOW RATES MAY BE REQUIRED FOR COMPLETE VAPOR AND SMOKE REMOVAL IN SPECIFIC INSTALLATIONS.
 2. THE EXHAUST FAN MUST BE OPERATED WHENEVER THE COOKING EQUIPMENT IS TURNED ON. (NFPA SECTION 11.1.1)
 304 STAINLESS STEEL WHERE EXPOSED
 ADA REQUIRES A CANOPY HOOD BE INSTALLED A MINIMUM OF 84" ABOVE THE FINISHED FLOOR.

ELECTRICAL WIRING LEGEND
 STREIVOR FACTORY WIRING
 FIELD WIRING BY OTHERS
PRE-INSTALLATION
 OBTAIN, READ AND UNDERSTAND STREIVOR'S HOOD INSTALLATION, OPERATION AND MAINTENANCE MANUAL PRIOR TO INSTALLATION, STARTUP OR BALANCING.
INSTALLATION
 ALL INSTALLATION, STARTUP AND BALANCING MUST BE PERFORMED BY QUALIFIED PERSONS AND IN ACCORDANCE WITH ALL APPLICABLE PREVAILING CODES AND STANDARDS.
 A 10" MINIMUM CLEARANCE IS REQUIRED ABOVE ALL STANDARD CONSTRUCTION HOODS. CONSULT THE FACTORY FOR VARIANCES.



LEGEND	
1	ALL WELDED ENCLOSURE
2	PITCHED GREASE DRIP TRAY ENCLOSED
3	ENCLOSED METAL CONTAINER
4	CONTAINMENT PANEL: LIGHT DUTY
5	ENCLOSURE PANEL
6	CONTROL PANEL
7	STAINLESS STEEL UTILITY CABINET
8	12" HOOD OVERHANG IS RECOMMENDED FOR ALL HEAVY DUTY COOKING EQUIPMENT
9	16 GA. STAINLESS STEEL ENDS, REMAINDER OF HOOD TO BE FABRICATED FROM NO LESS THAN 18 GA. MATERIAL.
10	INTERNAL HOOD FAN (IHF) W/SPEED CONTROL
11	IHF J-BOX
12	IHF COLLAR WITH UL LISTED FIRE DAMPER 6"x6"
13	8" ROUND IHF SUPPLY DUCT (SHIPPED LOOSE)

GENERAL NOTES:
 NOTES TO ARCHITECT AND/OR CONTRACTOR: STREIVOR, INC. (STREIVOR AIR SYSTEMS, STREIVOR STAINLESS) IS A SPECIALIST IN THE LAYOUT AND DESIGN OF KITCHEN VENTILATION SYSTEMS, AND IN NO WAY PURPORTS TO BE ARCHITECTS OR ENGINEERS.
 THIS PLAN IS SUBMITTED FOR THE CONVENIENCE OF THE ARCHITECT AND/OR CONTRACTOR AND IS DONE FROM AVAILABLE ARCHITECTURAL INFORMATION. ALL MEASUREMENTS ARE SUBJECT TO PHYSICAL VERIFICATION AND ANY DEVIATIONS OR DISCREPANCIES SHALL BE DIRECTED TO THE ATTENTION OF STREIVOR, INC. IN WRITING.
 STREIVOR, INC. ACCEPTS NO RESPONSIBILITY FOR WORK DONE BY SAID ARCHITECT OR GENERAL CONTRACTOR OR THEIR REPRESENTATIVES OR SUBCONTRACTORS, AND WILL NOT STAND ANY EXPENSE FOR CHANGES MADE NECESSARY DUE TO LOCAL BUILDING CODES, ORDINANCES, STRUCTURAL CONDITIONS, OR BY ANY SUBSTITUTIONS OR CHANGES IN EQUIPMENT SHOWN ON THIS PLAN.
 ANY ERRORS, AMBIGUITIES OR OMISSIONS IN THIS PLAN OR SPECIFICATIONS SHALL BE REPORTED TO STREIVOR, INC. FOR CORRECTIONS BEFORE ANY OF THE WORK IS STARTED. UNLESS EXPRESSLY STIPULATED, NO ADDITIONAL ALLOWANCE WILL BE MADE IN FAVOR OF THE OWNER OR CONTRACTOR. BY VIRTUE OF ERROR, AMBIGUITY OR OMISSION WHICH SHOULD HAVE BEEN DISCOVERED DURING THE PREPARATION OF BID ESTIMATES, AND DIRECTED TO THE ATTENTION OF STREIVOR, INC. IN A TIMELY MANNER.

STREIVOR, INC. ACCEPTS NO RESPONSIBILITY FOR WORK DONE BY SAID ARCHITECT OR GENERAL CONTRACTOR OR THEIR REPRESENTATIVES OR SUBCONTRACTORS, AND WILL NOT STAND ANY EXPENSE FOR CHANGES MADE NECESSARY DUE TO LOCAL BUILDING CODES, ORDINANCES, STRUCTURAL CONDITIONS, OR BY ANY SUBSTITUTIONS OR CHANGES IN EQUIPMENT SHOWN ON THIS PLAN.
 ANY ERRORS, AMBIGUITIES OR OMISSIONS IN THIS PLAN OR SPECIFICATIONS SHALL BE REPORTED TO STREIVOR, INC. FOR CORRECTIONS BEFORE ANY OF THE WORK IS STARTED. UNLESS EXPRESSLY STIPULATED, NO ADDITIONAL ALLOWANCE WILL BE MADE IN FAVOR OF THE OWNER OR CONTRACTOR. BY VIRTUE OF ERROR, AMBIGUITY OR OMISSION WHICH SHOULD HAVE BEEN DISCOVERED DURING THE PREPARATION OF BID ESTIMATES, AND DIRECTED TO THE ATTENTION OF STREIVOR, INC. IN A TIMELY MANNER.

STREIVOR™ AIR SYSTEMS
"STRIVING FOR EXCELLENCE"
 1742 SABRE STREET HAYWARD, CALIFORNIA 94545
 PHONE: (510) 670-9090 FAX: (510) 670-9055
 WWW.STREIVOR.COM

PROJECT: ONE COMMUNITY
 WEBB DESIGN

HOOD #:	01 & 02	
DATE:	05-07-2014	
SCALE:	(UNLESS OTHERWISE NOTED) 1/2" = 1' - 0"	
DRAWN BY:	KCS	
CHECKED BY:	---	
CONSULTANT:	---	
DESCRIPTION	DATE	INT
---	---	---
---	---	---
---	---	---
---	---	---
---	---	---

H-01
 SHEET 01 OF 01